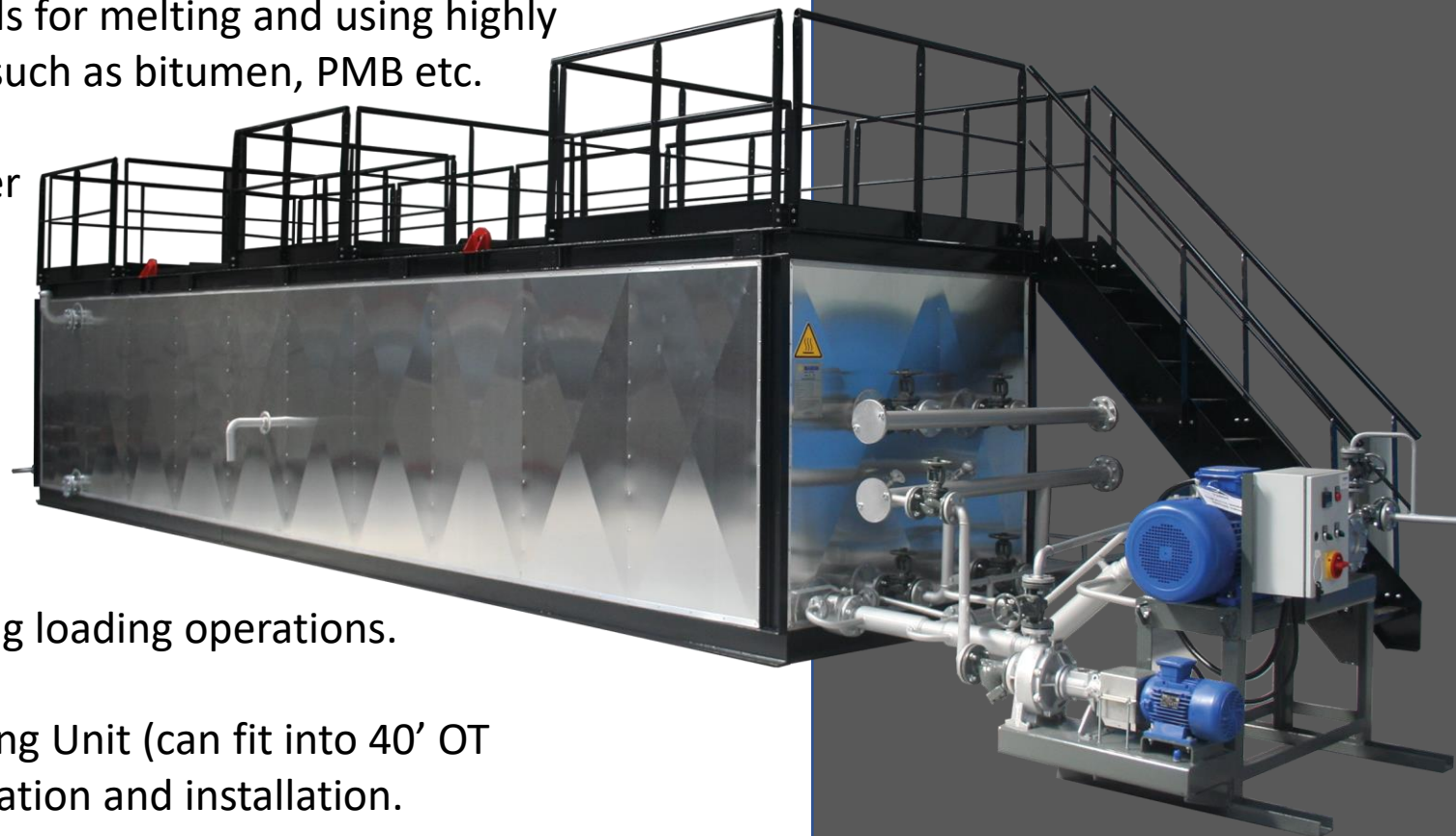


BIGBAG MELTING UNIT

BigBag melting unit is a reliable, economical and practical solution. Thanks to its high efficiency, compact design and ease of use BigBag melting unit will be your most useful solution for melting.

MAIN FEATURES

- ◆ **Big Bag Melting Unit**, which can be heated up to 250°C with hot oil generator, is designed to meet your needs for melting and using highly viscous products that stored in bigbags, such as bitumen, PMB etc.
- ◆ **Fast melting** thanks to high-quality heater coils.
- ◆ **All surfaces** of the Big Bag Melting Unit are covered with rockwool insulation to minimize heat loss.
- ◆ **Big Bag Melting Unit** can optionally be equipped with a crane to facilitate Big Bag loading operations.
- ◆ **The compact design** of the Big Bag Melting Unit (can fit into 40' OT container) allows easy and fast transportation and installation.



GENERAL SPECIFICATIONS

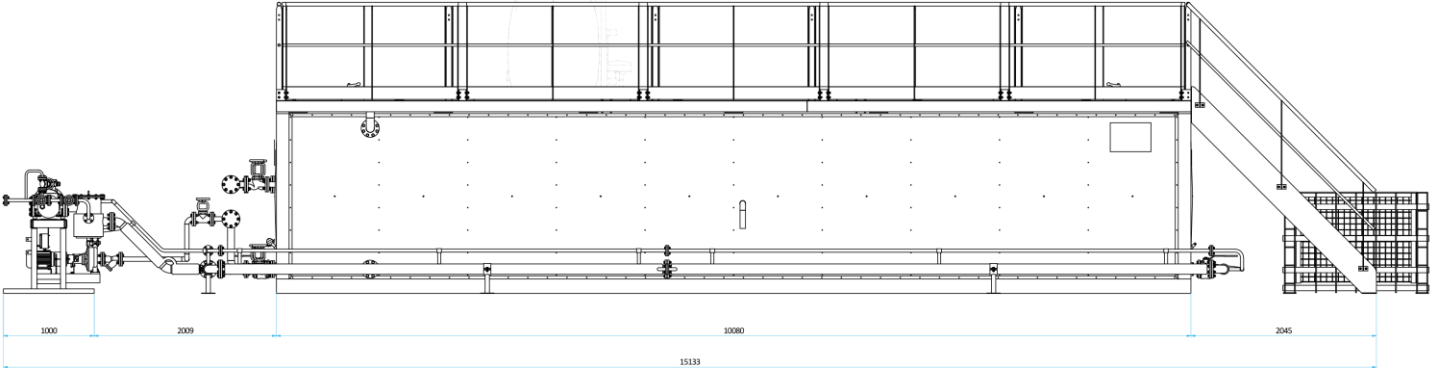
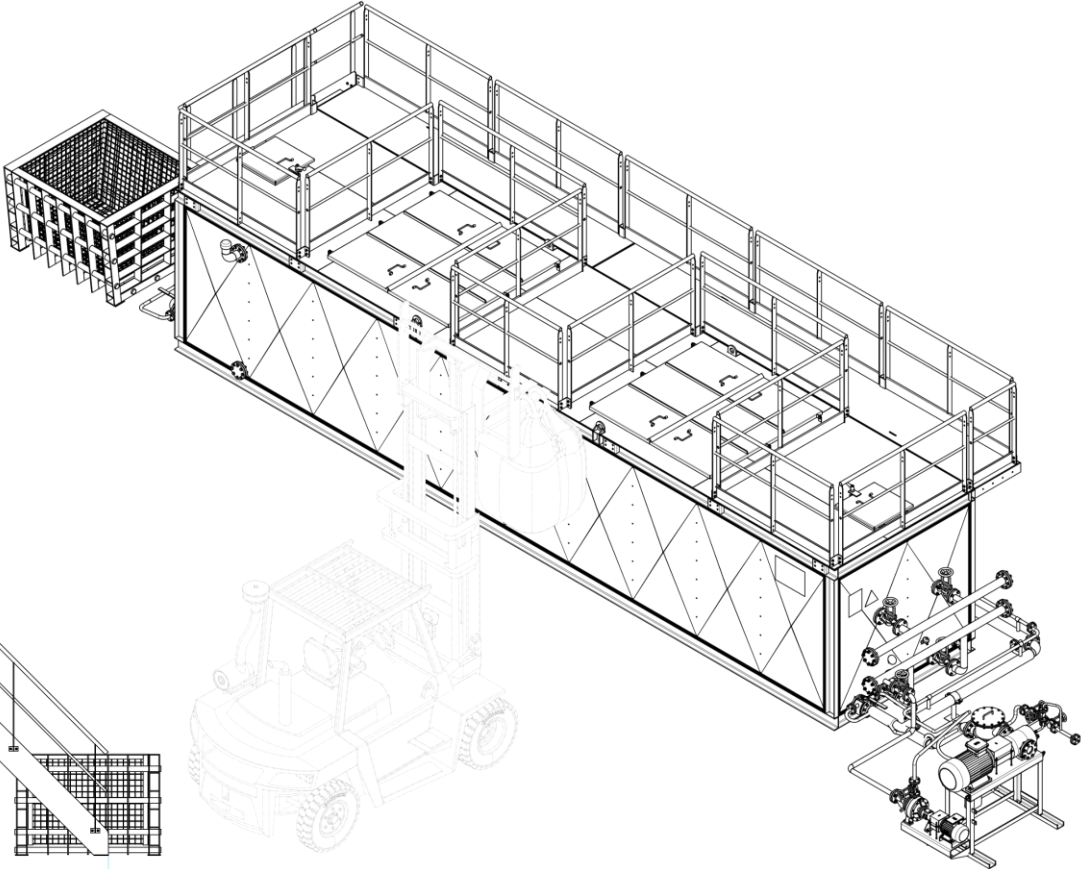
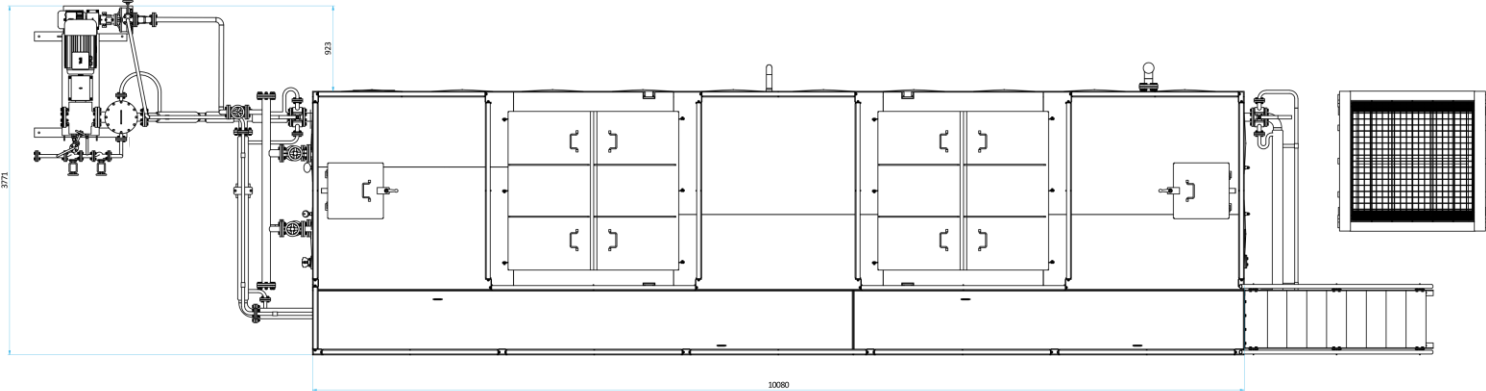
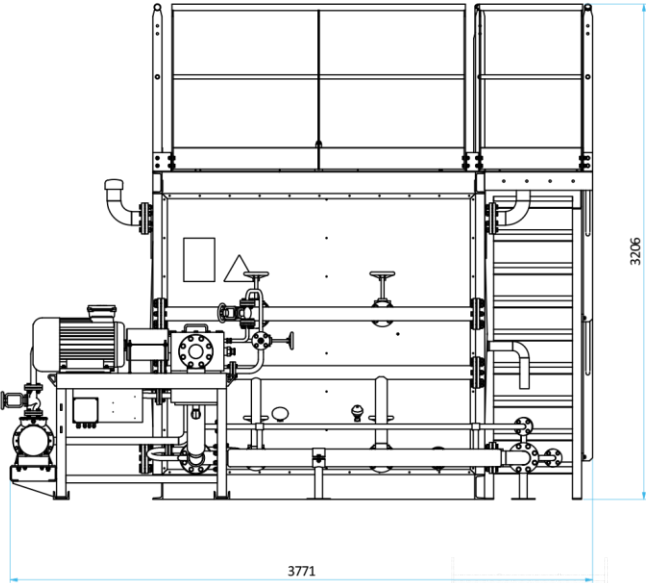
- ◆ **Melting unit designed** to melt bitumen stocked within big-bags.
- ◆ **10-12 ton/hour** capacity.
- ◆ **14.000kg** reservoir capacity.
- ◆ **2 pcs.** Big-Bag loading gates.
- ◆ **Thanks to its universal** design bitumen suction flexibility from the desired side of the unit.
- ◆ **Bitumen piping** line up to 6m for 1x bitumen tank.



BIGBAG MELTING UNIT

ITAL MACHINERY
MACCHINA ITALIANA

PRODUCT OVERVIEW – FLOW CHART



CONTACT US



italmachinery.com.ua



sales@italmachinery.com.ua



+38 (067) 271 61 61

+38 (067) 371 61 61

+38 (067) 801 77 00

+38 (096) 449 32 08



facebook.com/italmachinery



[@italmachinery](https://instagram.com/italmachinery)



[Ital Machinery](https://YouTube.com/ItalMachinery)

ITAL MACHINERY
MACCHINA ITALIANA

